

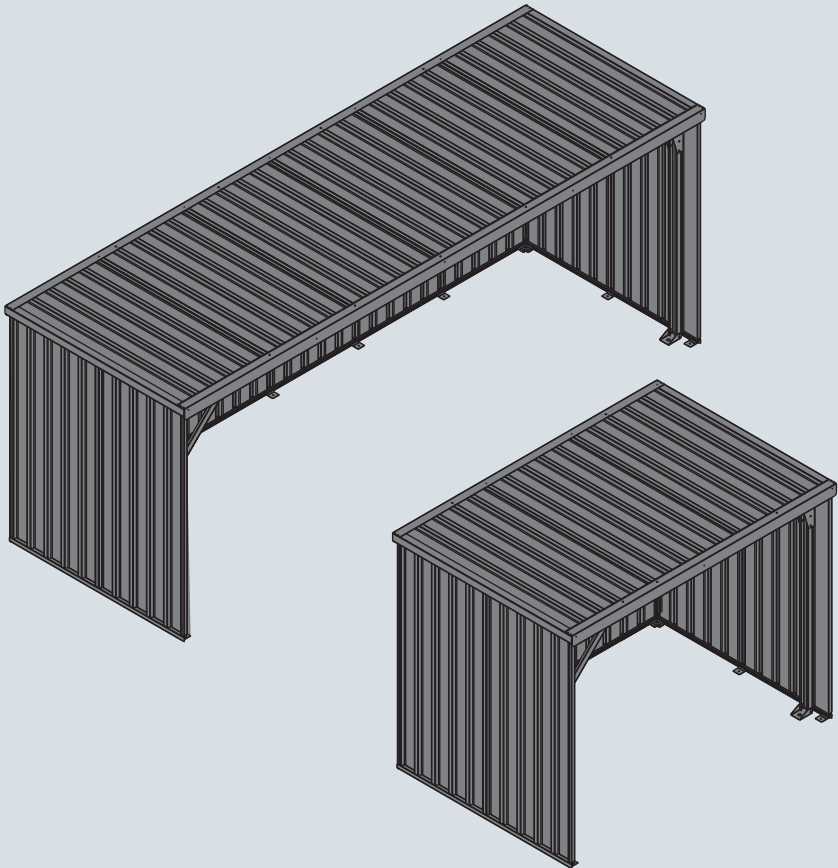


Montageanleitung











# UNTERSTAND US10+ / US20+

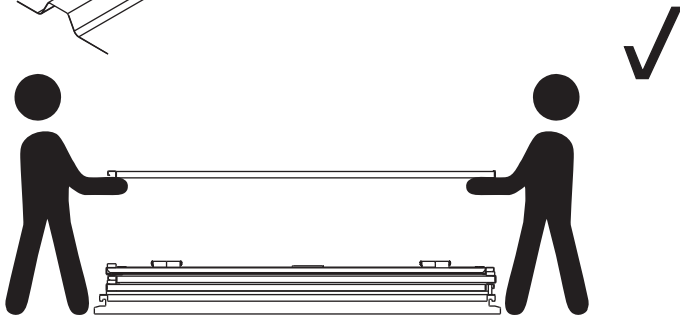
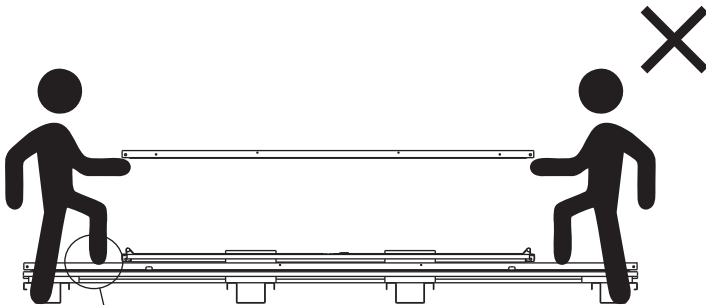
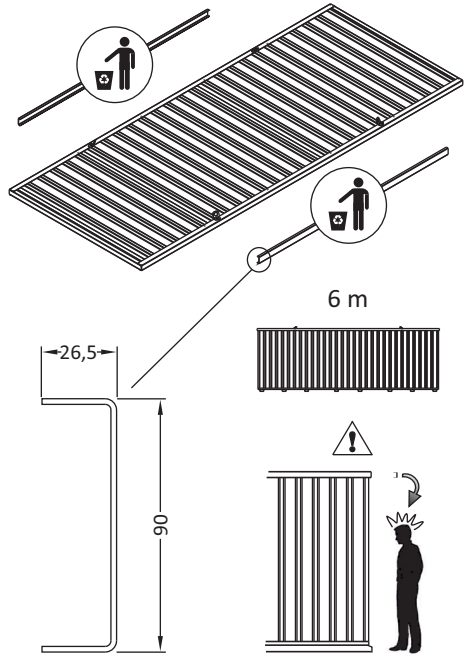
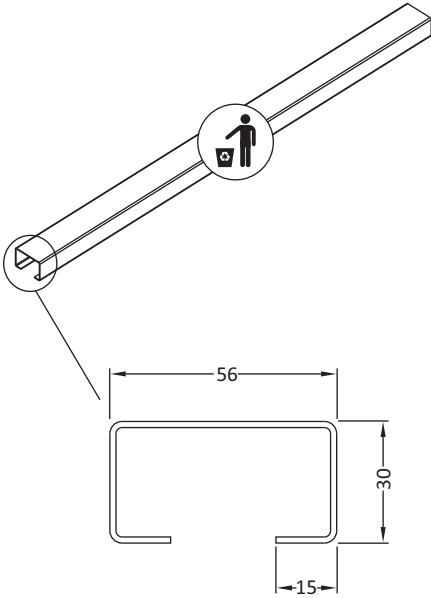
Assembly Instructions

# SHELTER US10+ / US20+

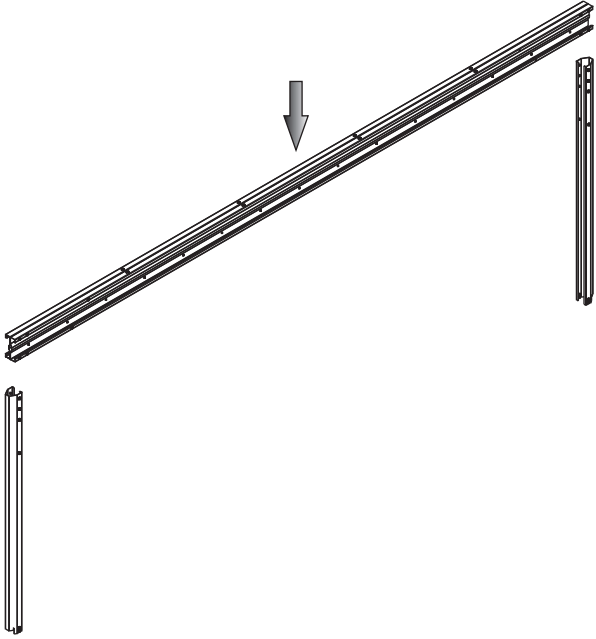


VOM MARKTFÜHRER! FROM THE MARKET LEADER!

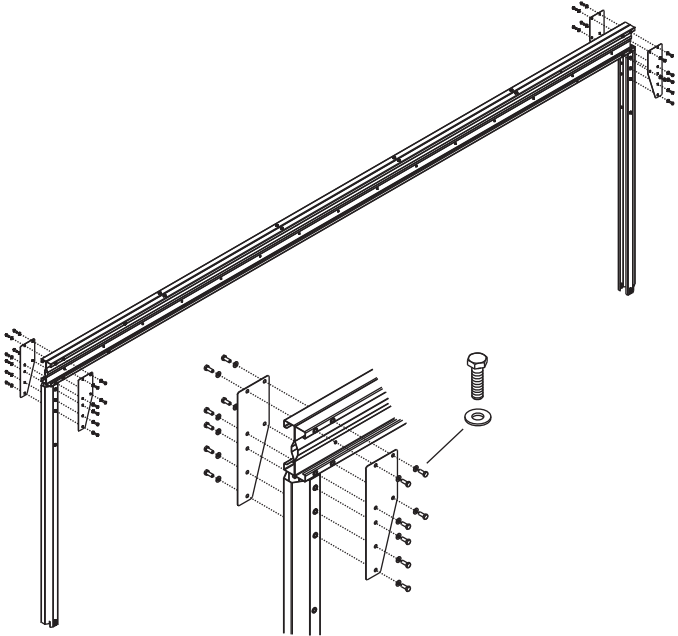
	<b>US10+</b>	<b>US20+</b>
	42x	42x
	44x	46x
	2x	2x
	15x	15x
	2x	4x
	6x	12x
	2x	4x
	4x	8x
	2x	4x
	4x	8x



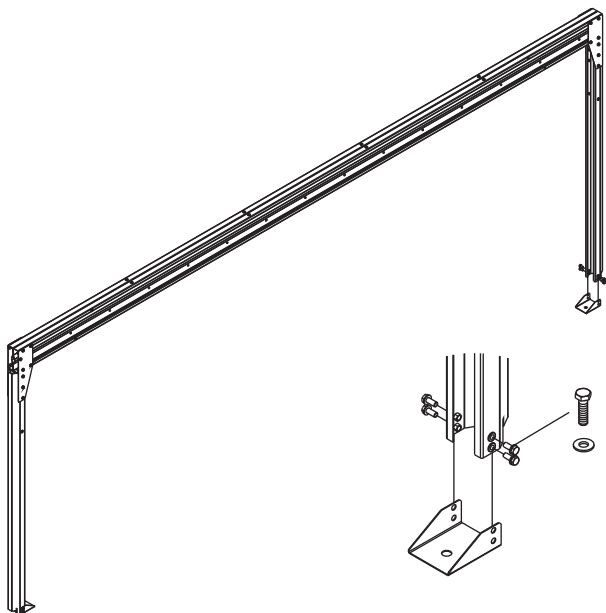
1.



2.



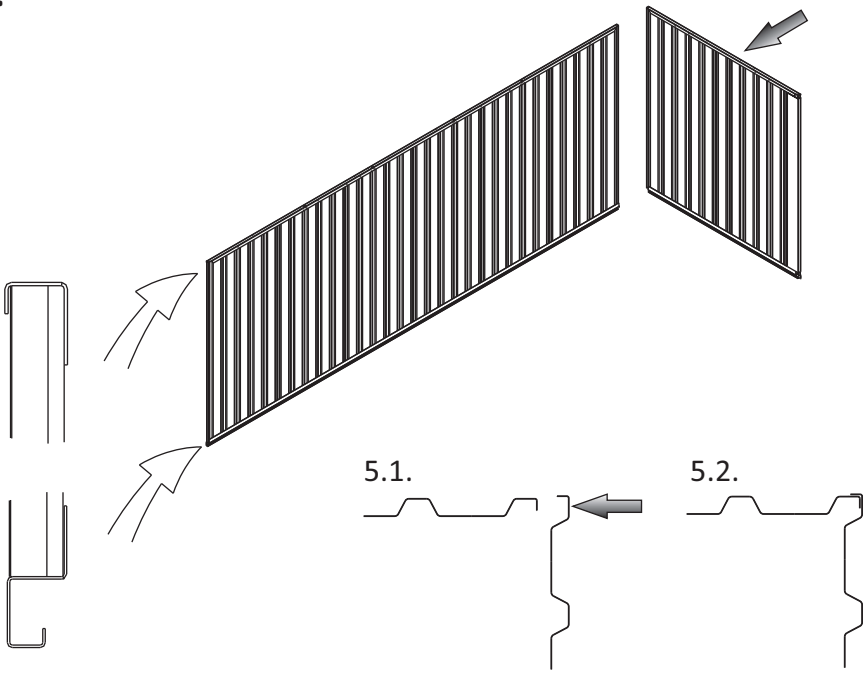
3.



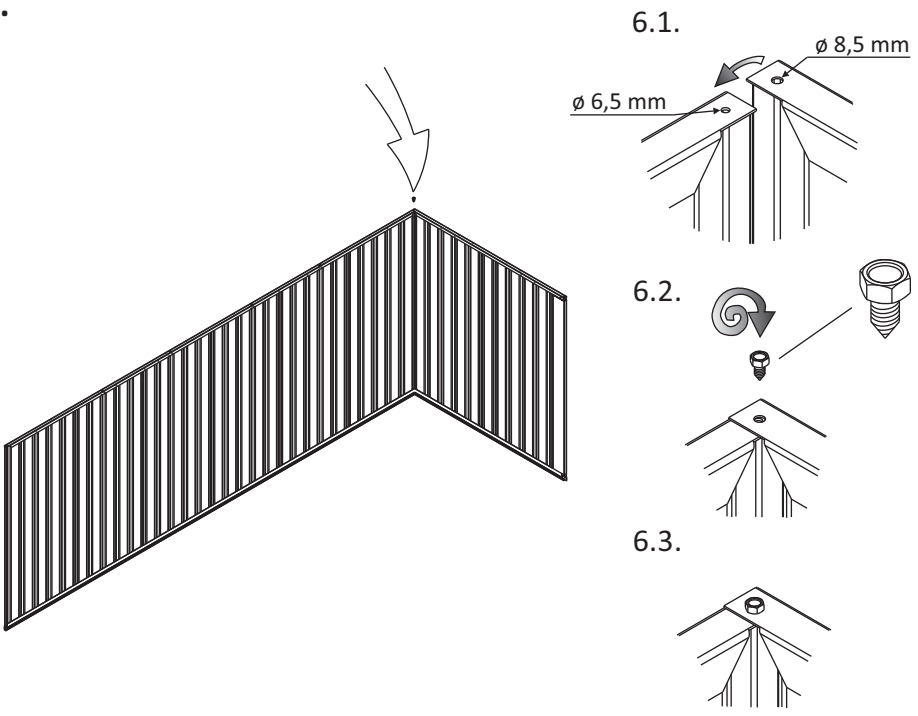
4.



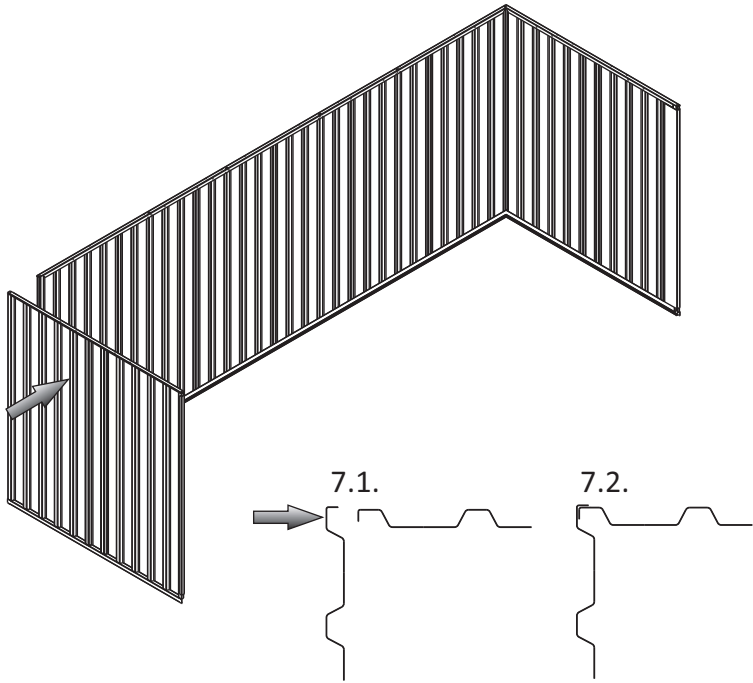
5.



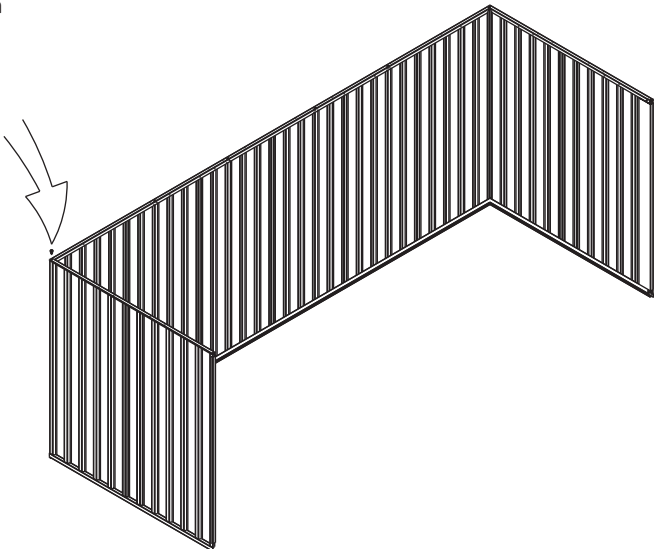
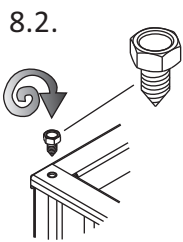
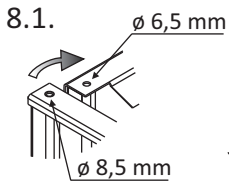
6.



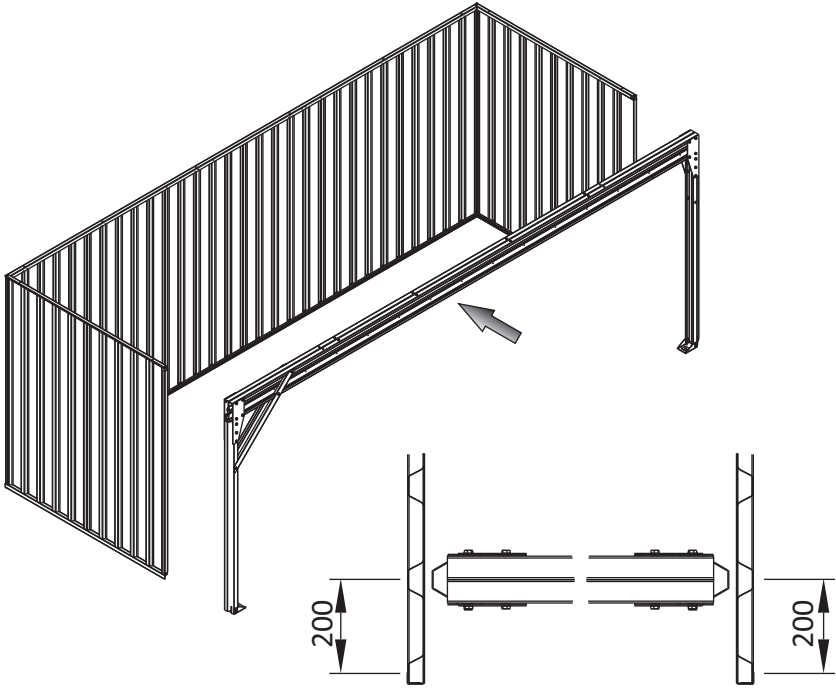
7.



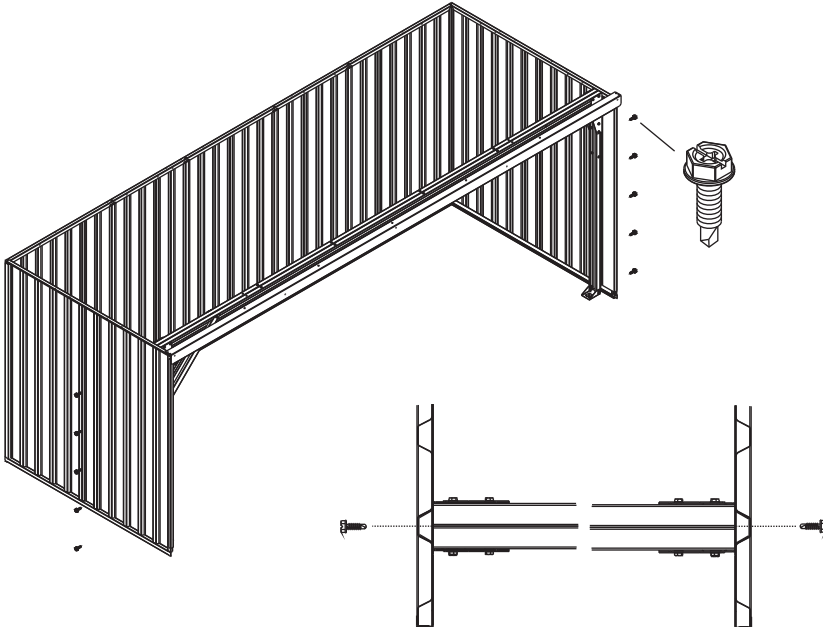
8.



9.

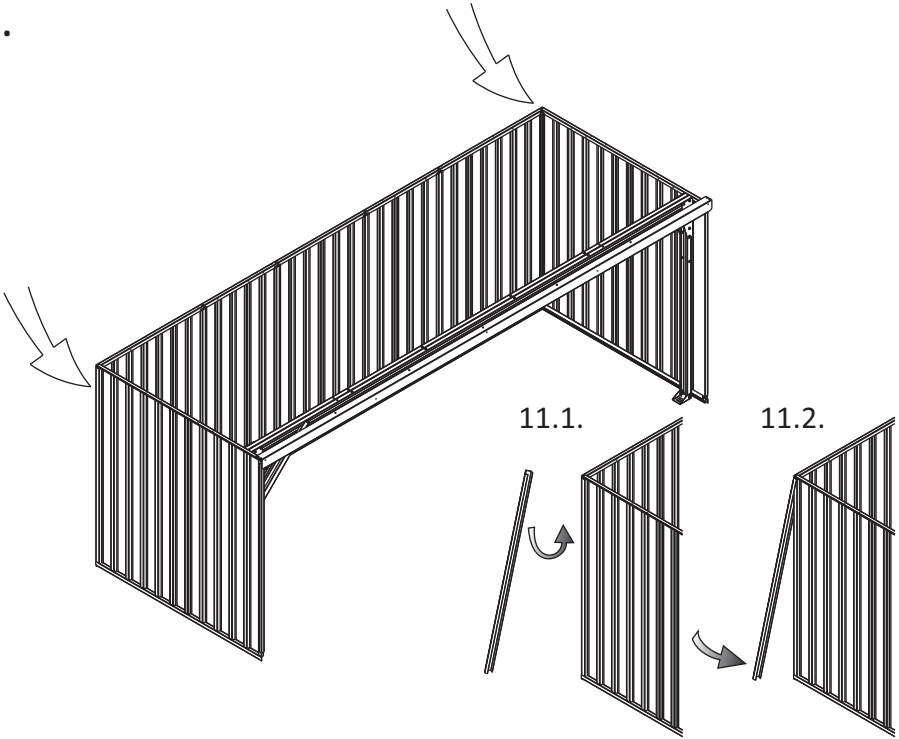


10.

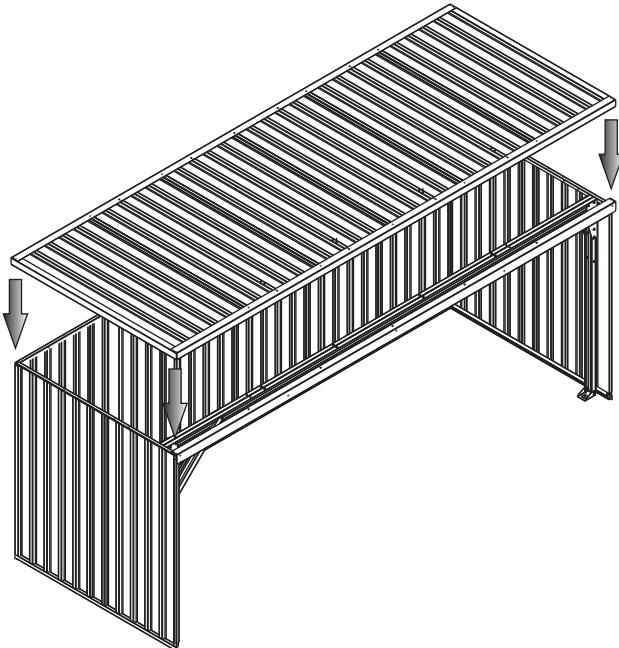




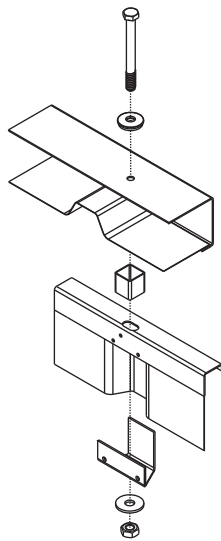
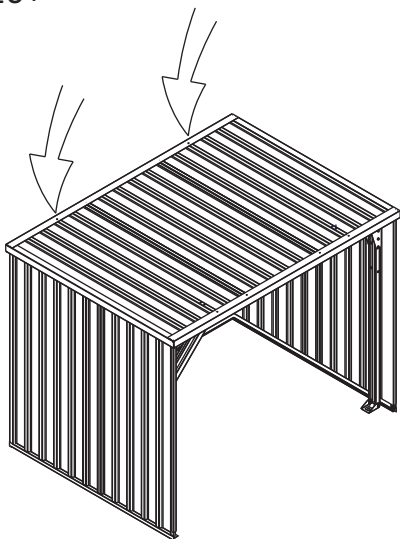
11.



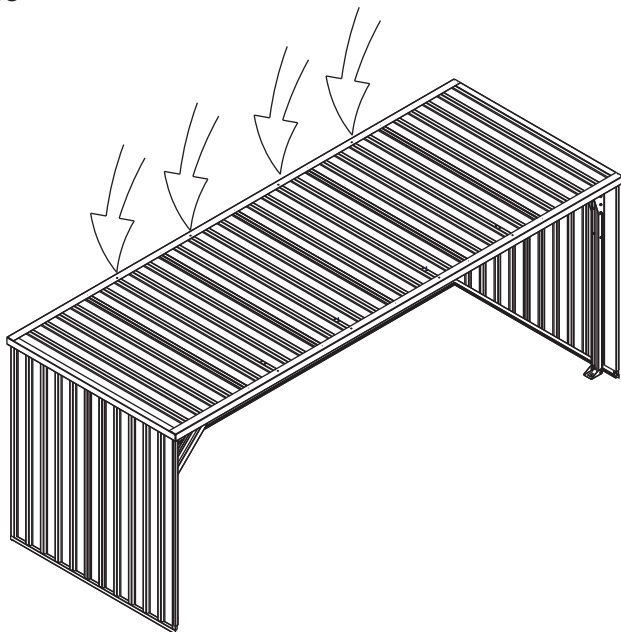
12.



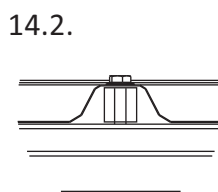
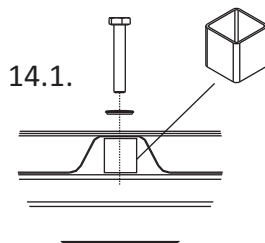
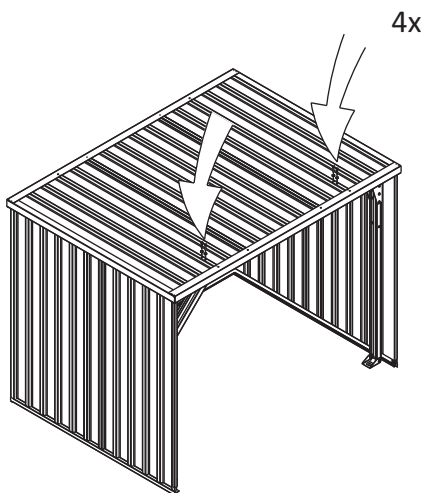
### 13. US10+



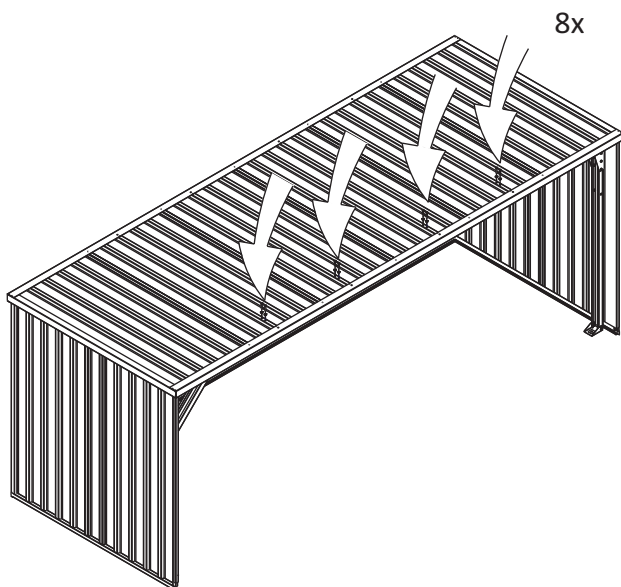
### US20+



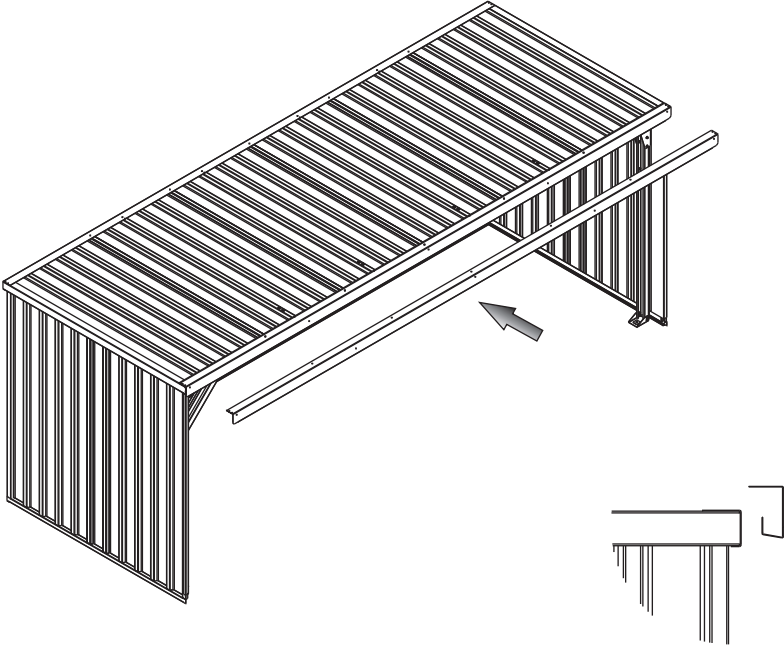
## 14. US10+



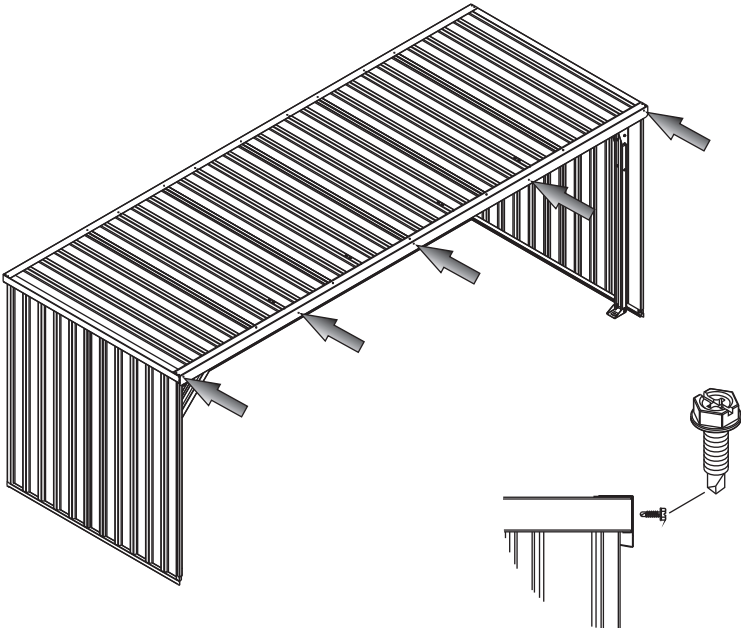
## US20+



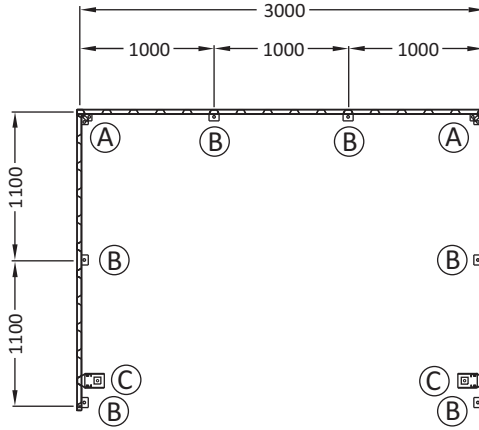
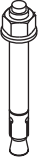
15.



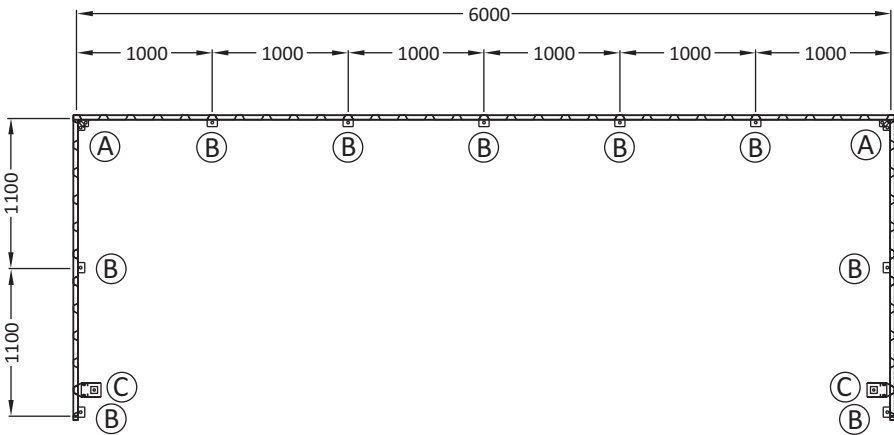
16.

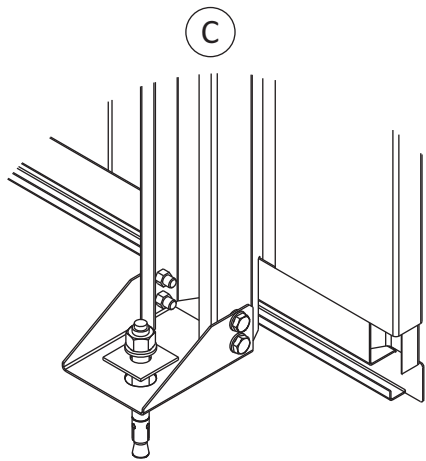
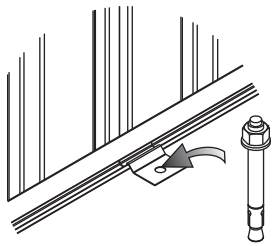
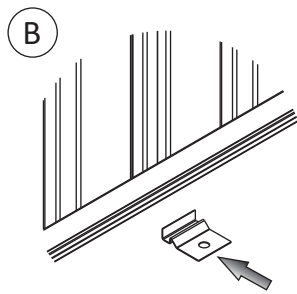
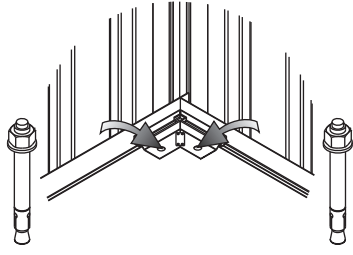
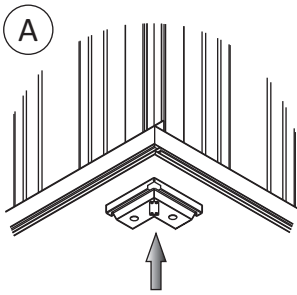


# 17.1. US10+

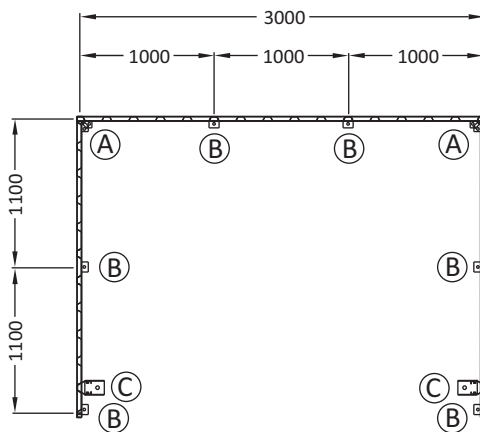


# US20+





## 17.2. US10+



## US20+

