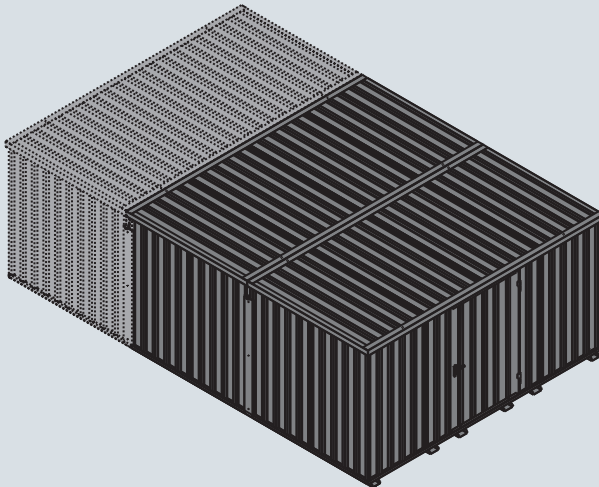
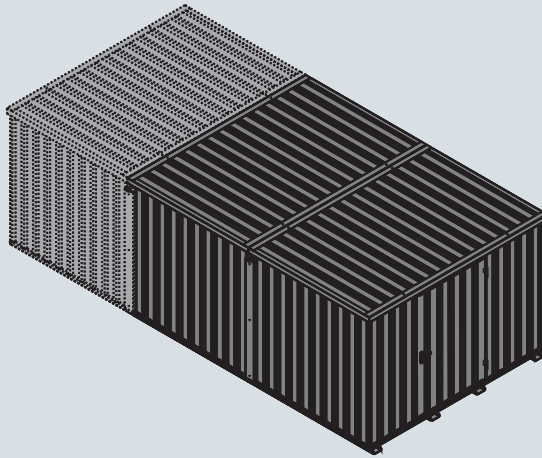
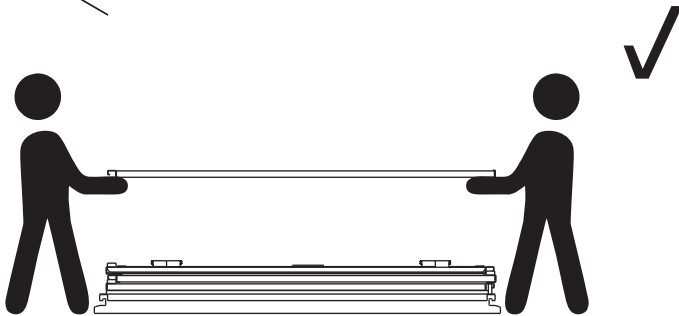
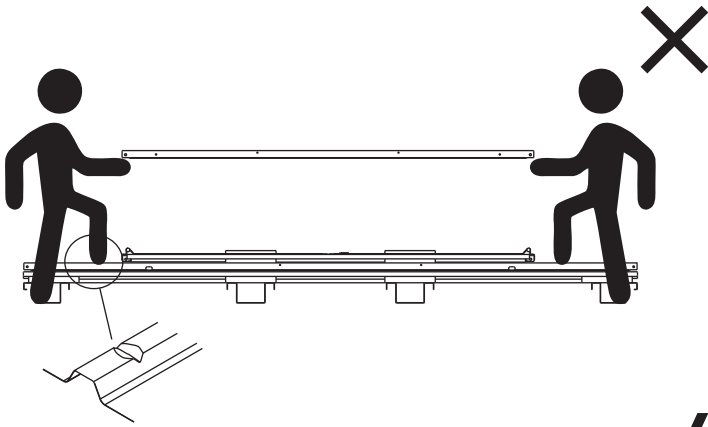


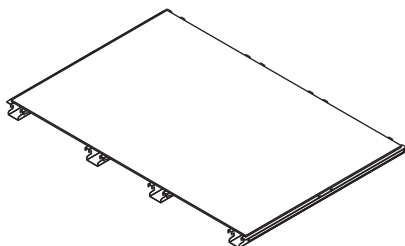
Montageanleitung
CONTAINERCOMBINATION SCC+ LÄNGSSEITIG
3m / 4m

Assembly Instructions
CONTAINER COMBINATION SCC+ SIDE CONNECTION
3m / 4m

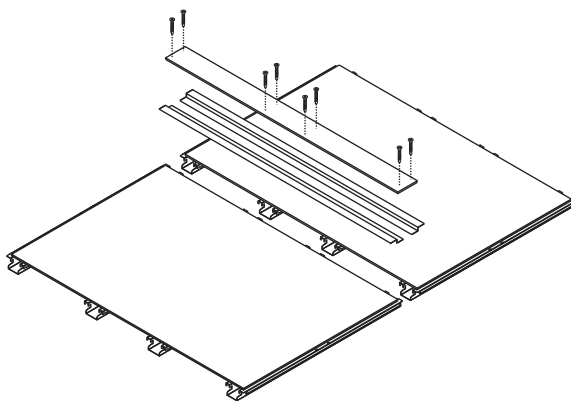




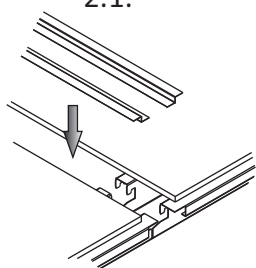
1.



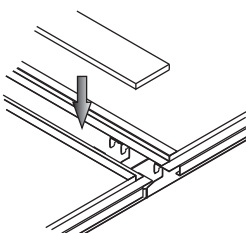
2.



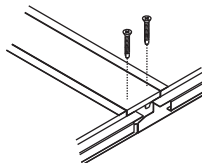
2.1.



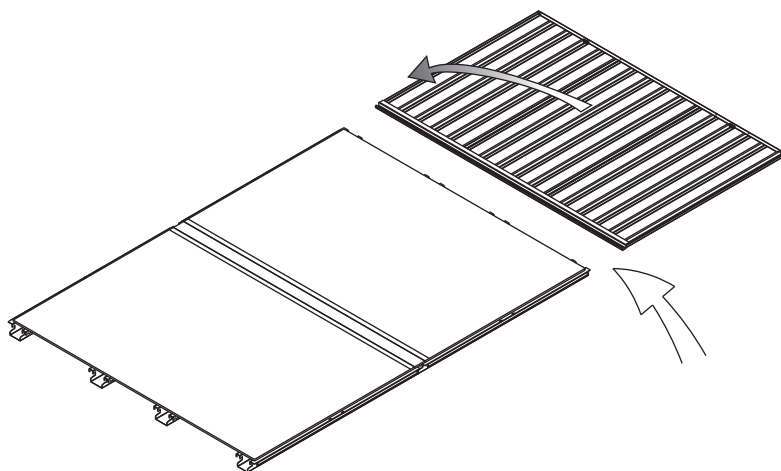
2.2.



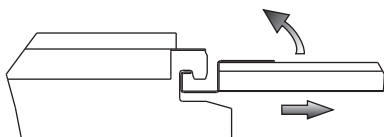
2.3.



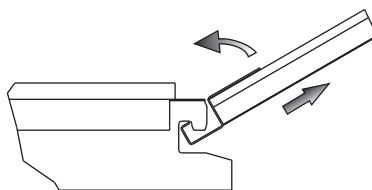
3.



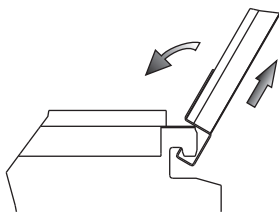
3.1.



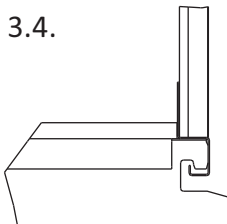
3.2.



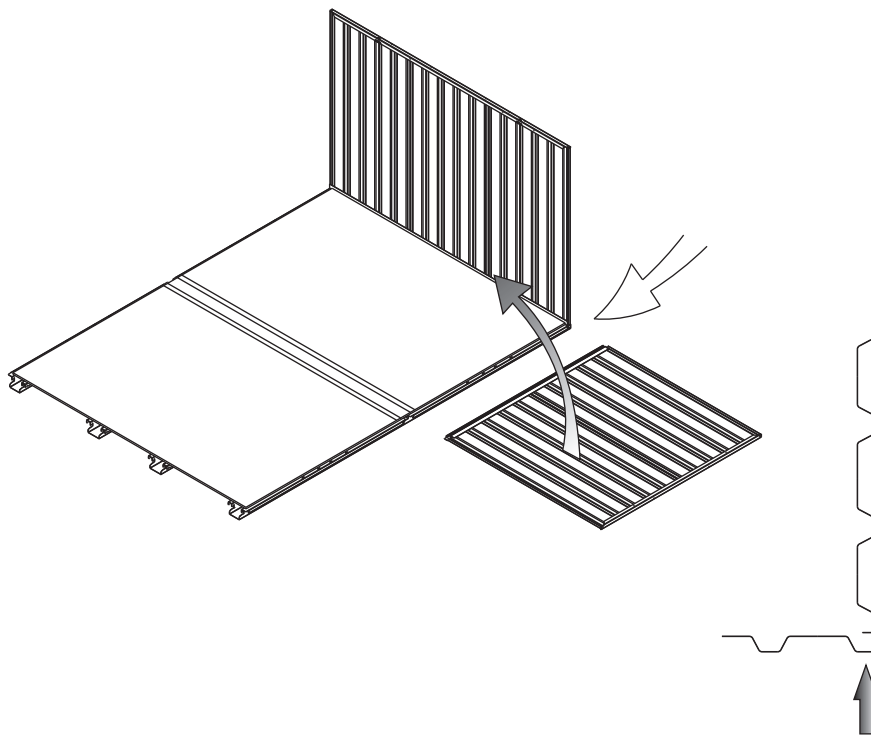
3.3.



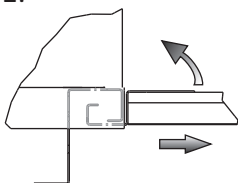
3.4.



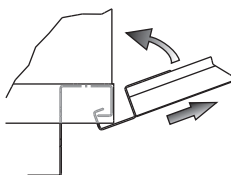
4.



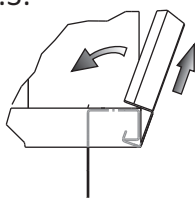
4.1.



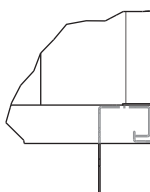
4.2.



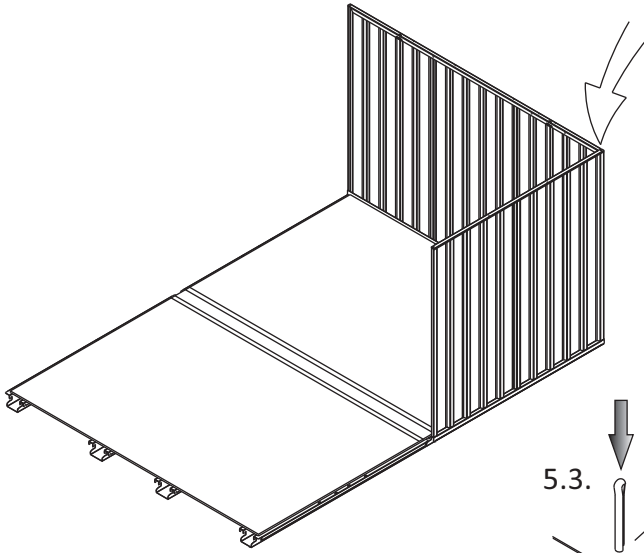
4.3.



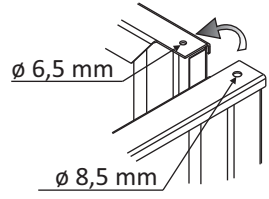
4.4.



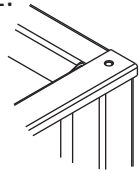
5.



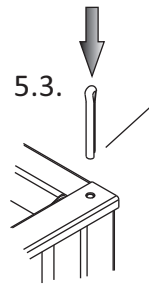
5.1.



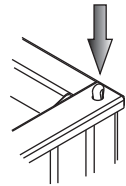
5.2.



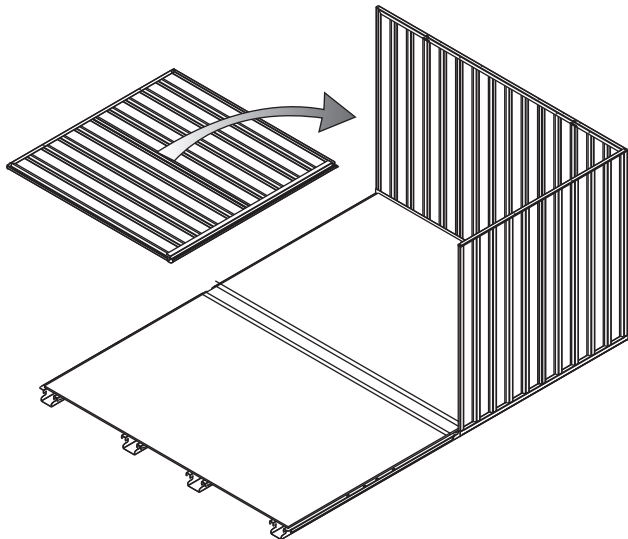
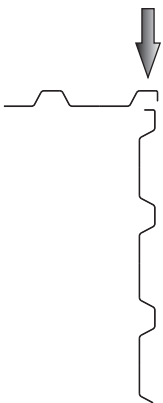
5.3.



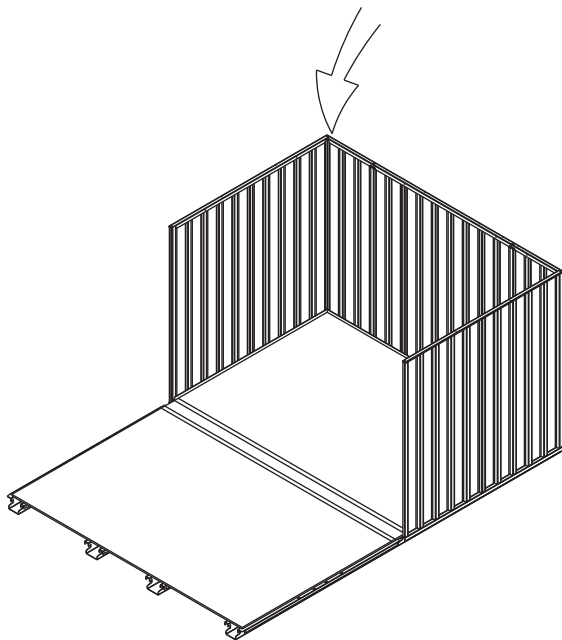
5.4.



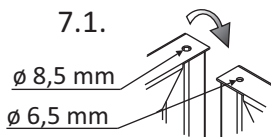
6.



7.



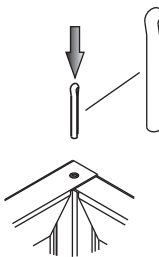
7.1.



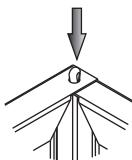
7.2.



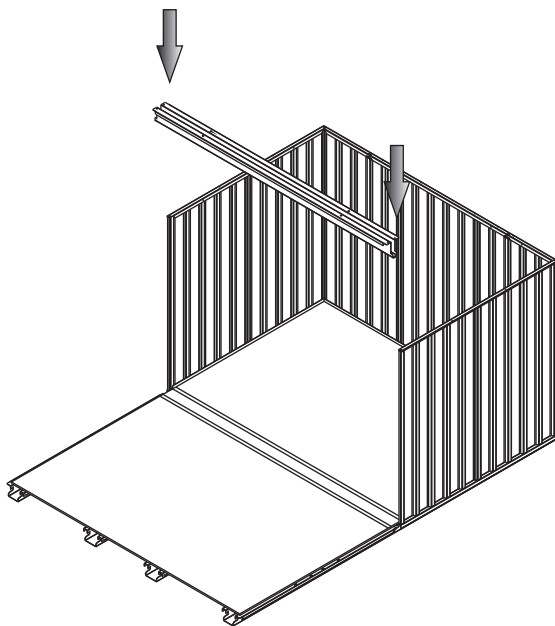
7.3.



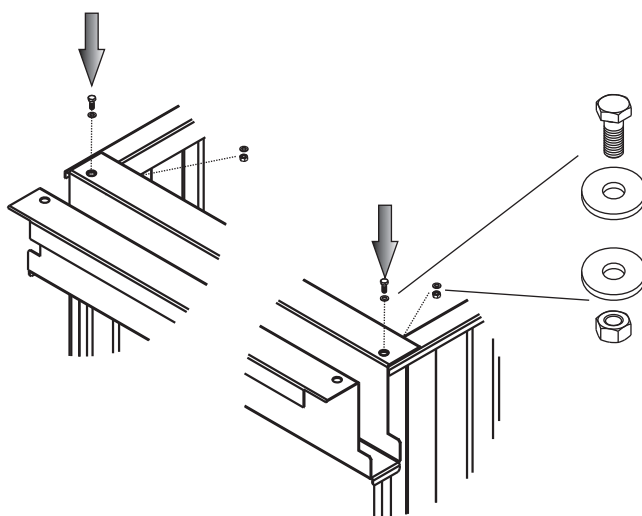
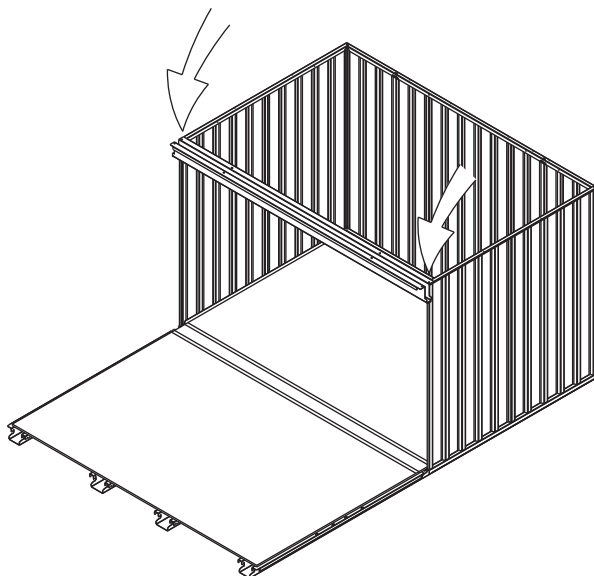
7.4.



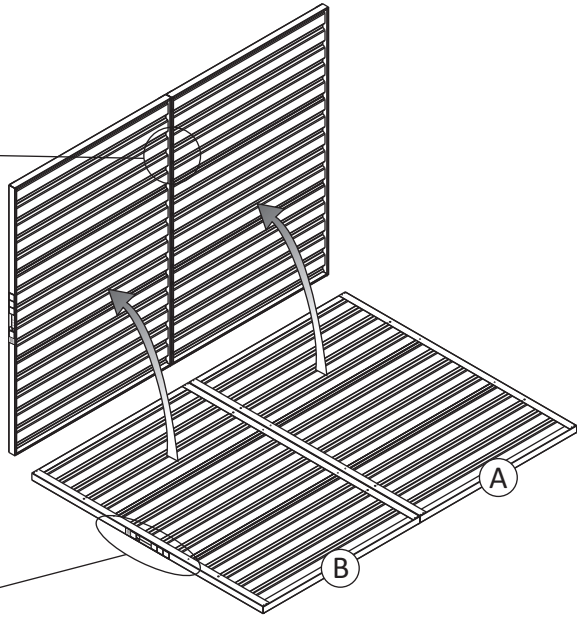
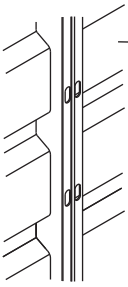
8.



9.



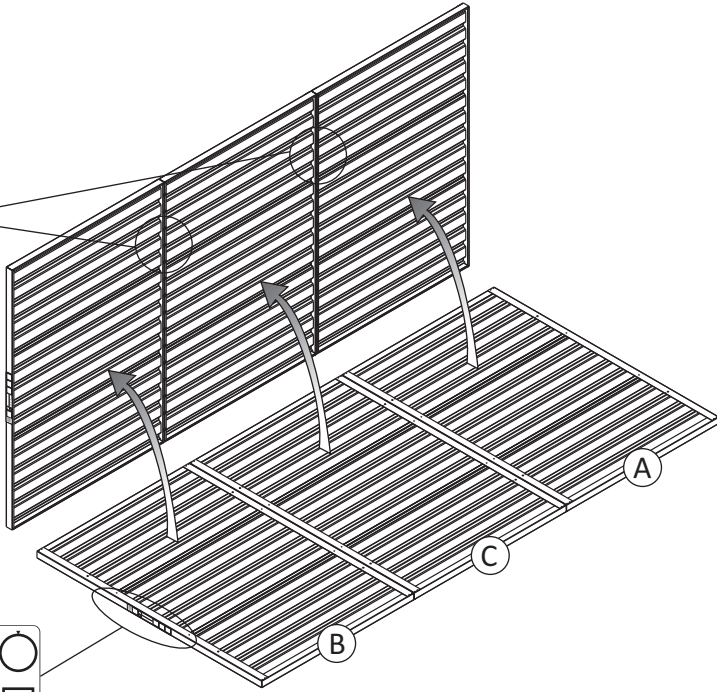
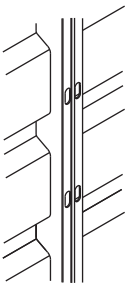
10. SCC+3x4
 SCC+4x4



SCC+
 ContainerCombination
 Container Combination

8000 Corrugated Steel (CF Steel)
 L100x50x4
 D 40200 Ermaulung

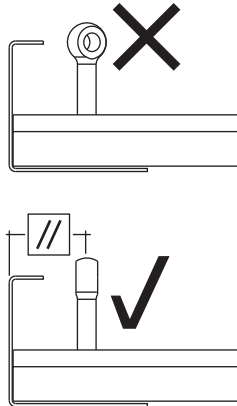
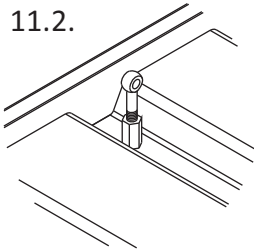
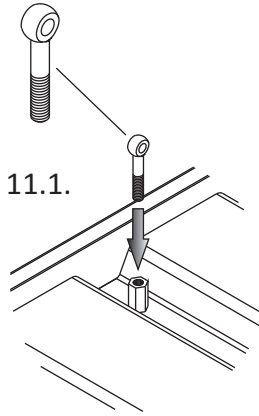
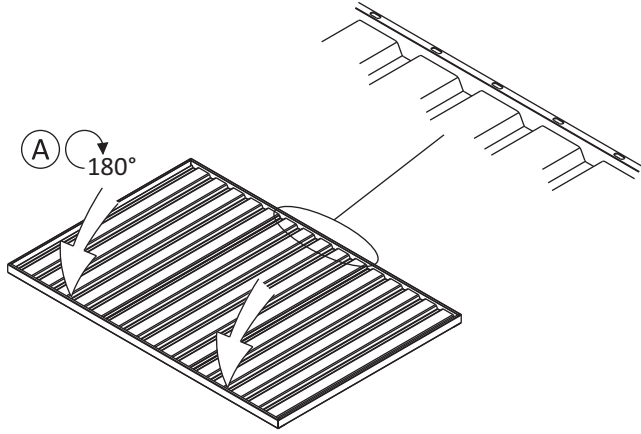
SCC+3x6
 SCC+4x6



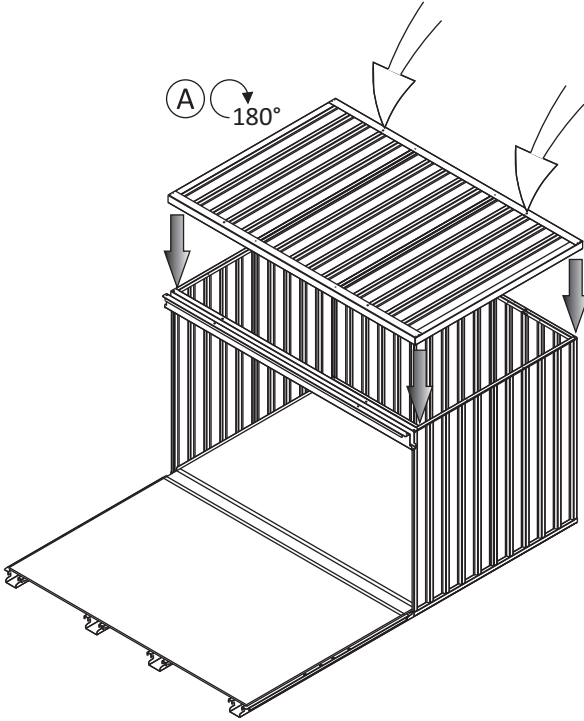
SCC+
 ContainerCombination
 Container Combination

8000 Corrugated Steel (CF Steel)
 L100x50x4
 D 40200 Ermaulung

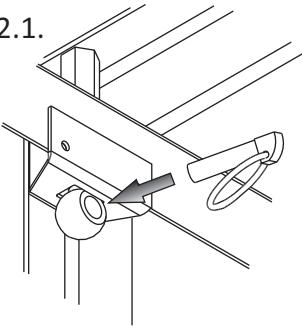
11.



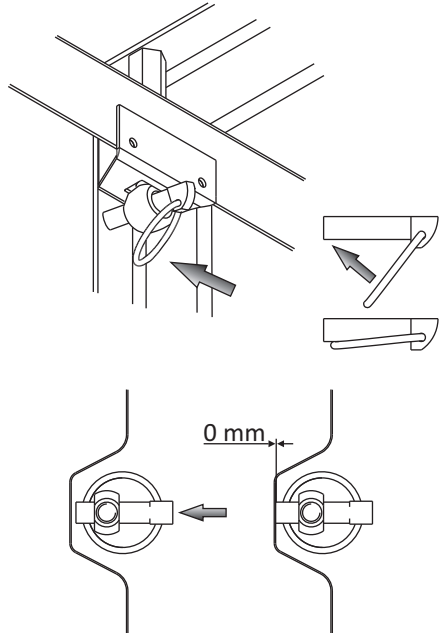
12.



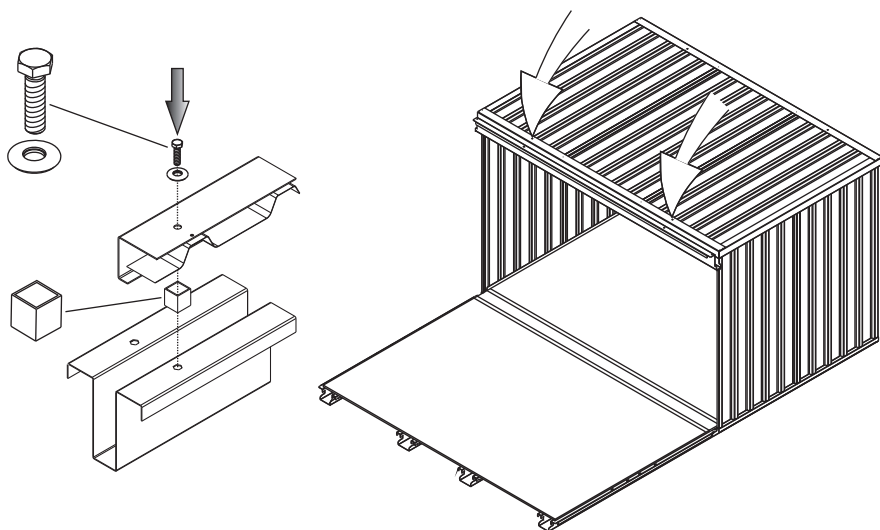
12.1.



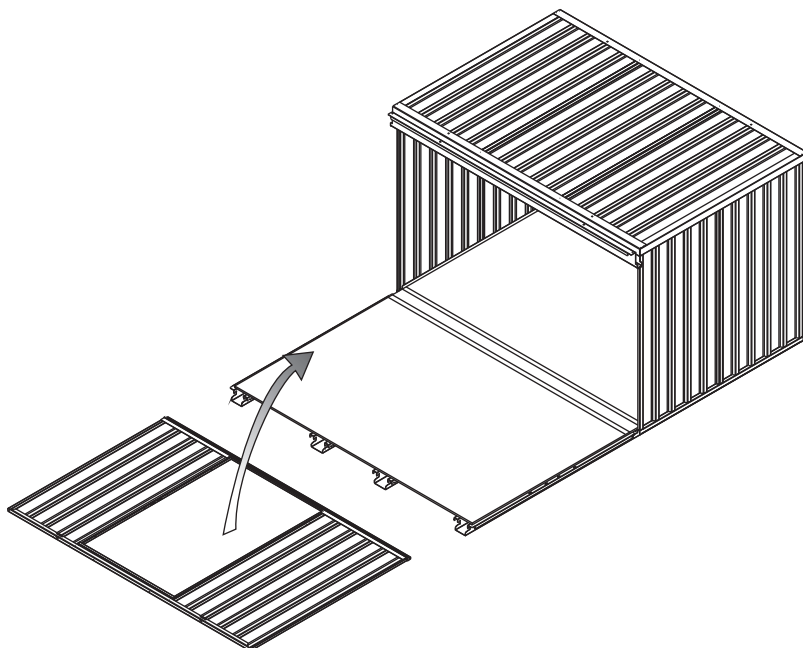
12.2.



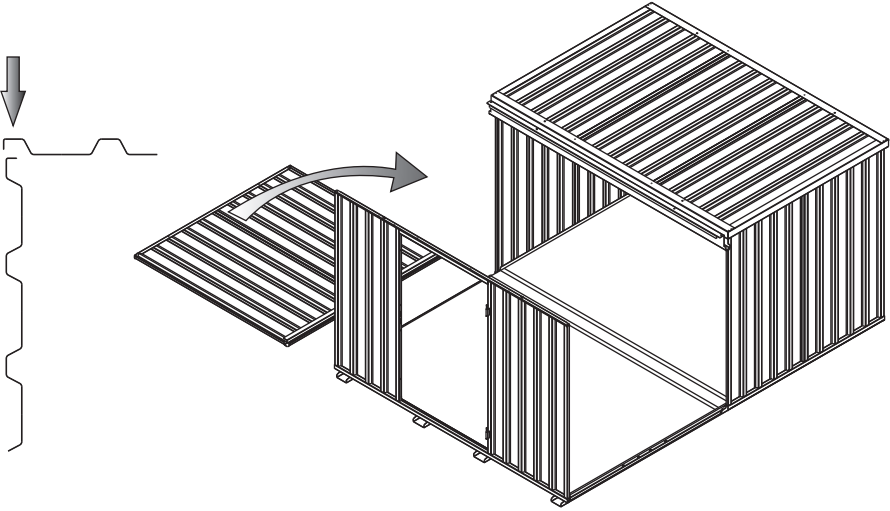
13.



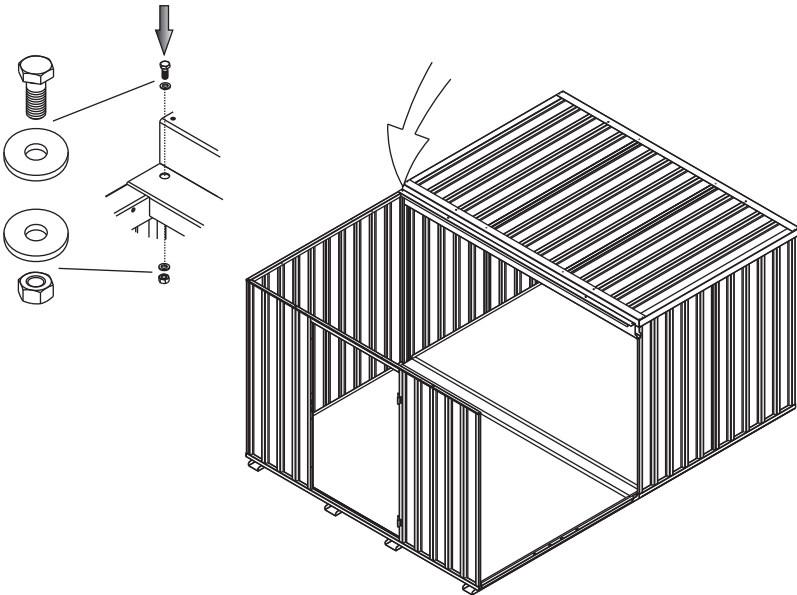
14.



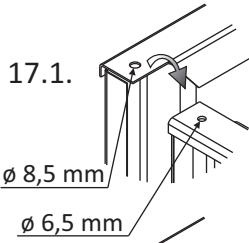
15.



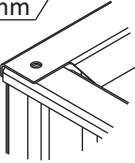
16.



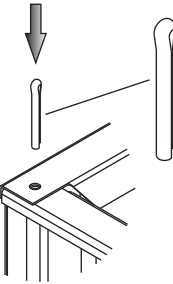
17.



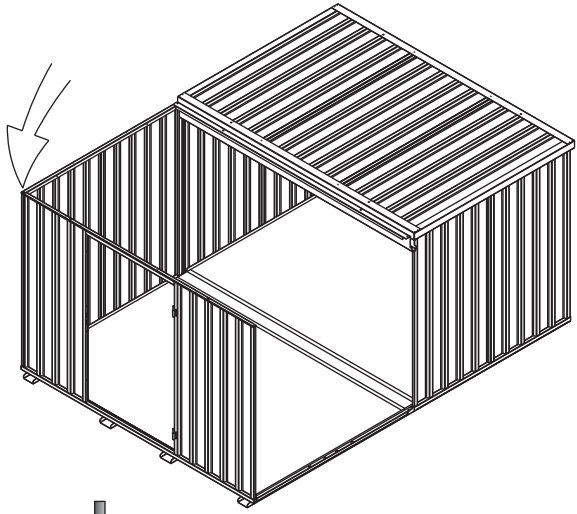
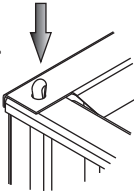
17.2.



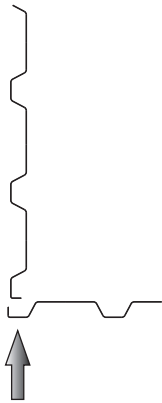
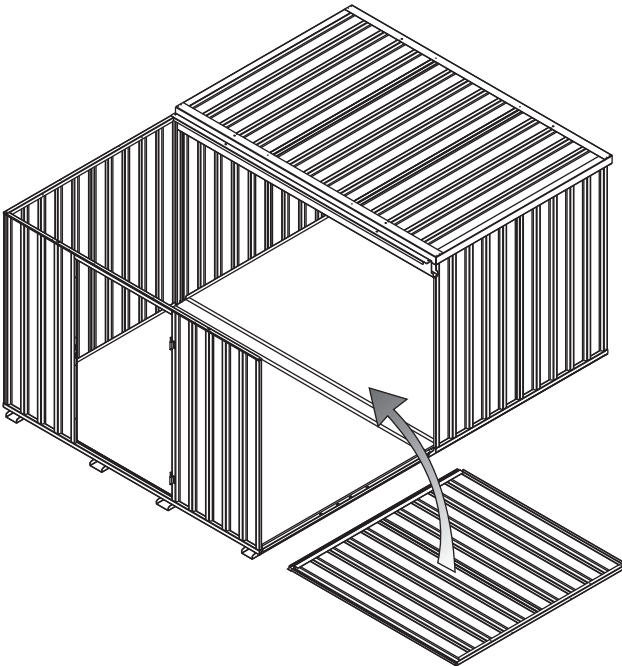
17.3.



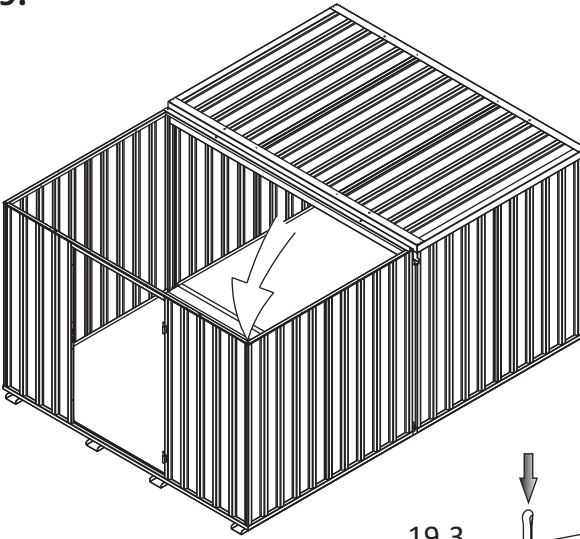
17.4.



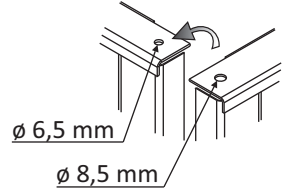
18.



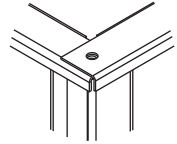
19.



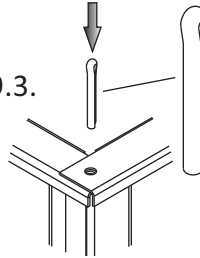
19.1.



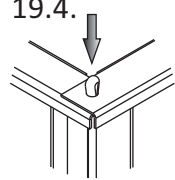
19.2.



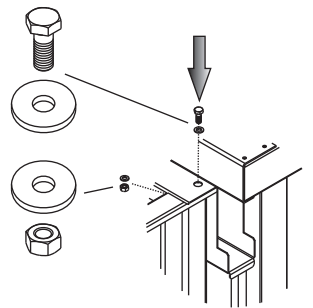
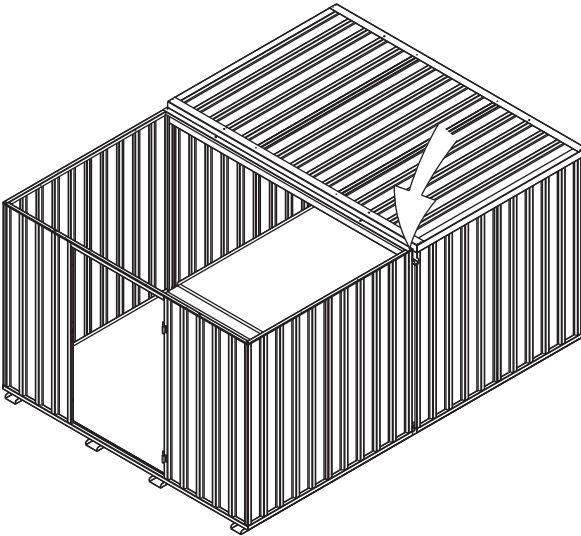
19.3.



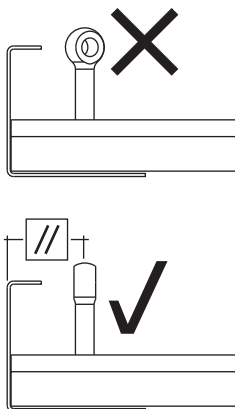
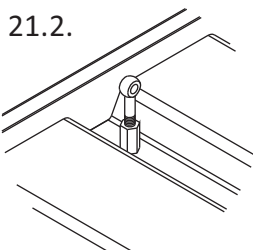
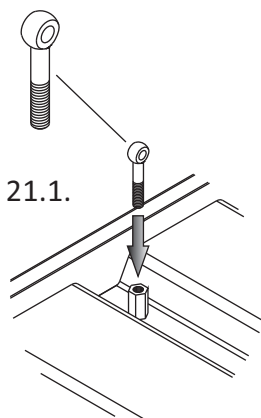
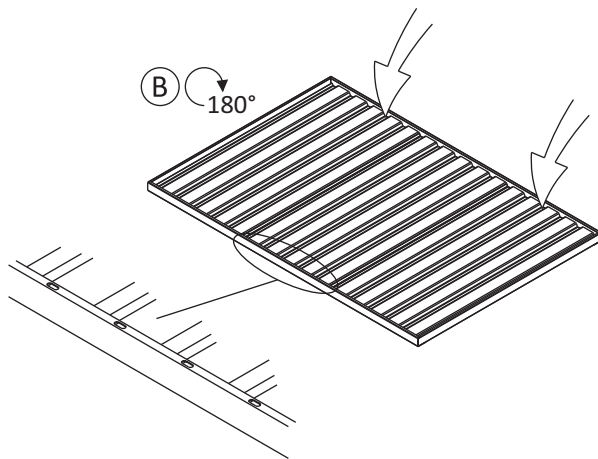
19.4.



20.

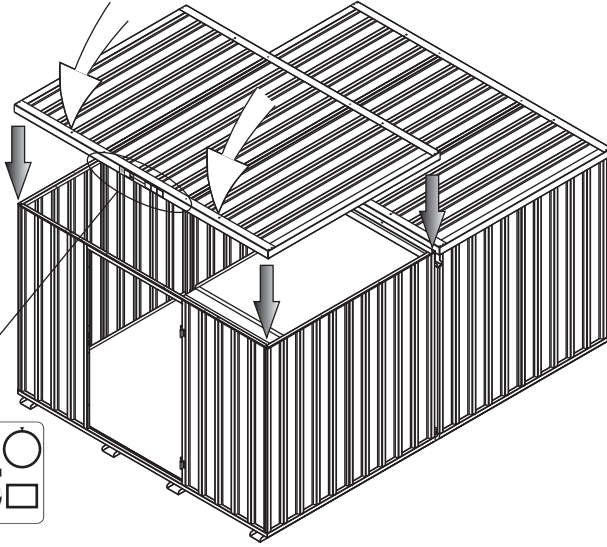


21.



22. 3m LE
 4m LE
 4m LZ

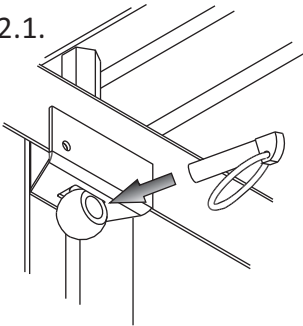
(B) 180°



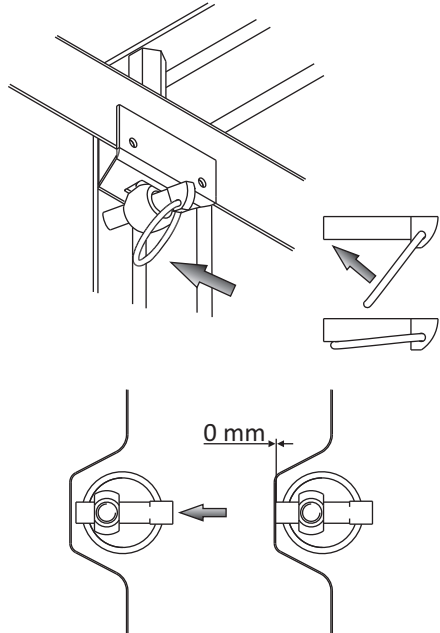
SCC+
 ContainerCombination
 Container Combination

BSI Certified Best of Steel
 L1000x2000 x 2
 20' x 40'20" Dimensions

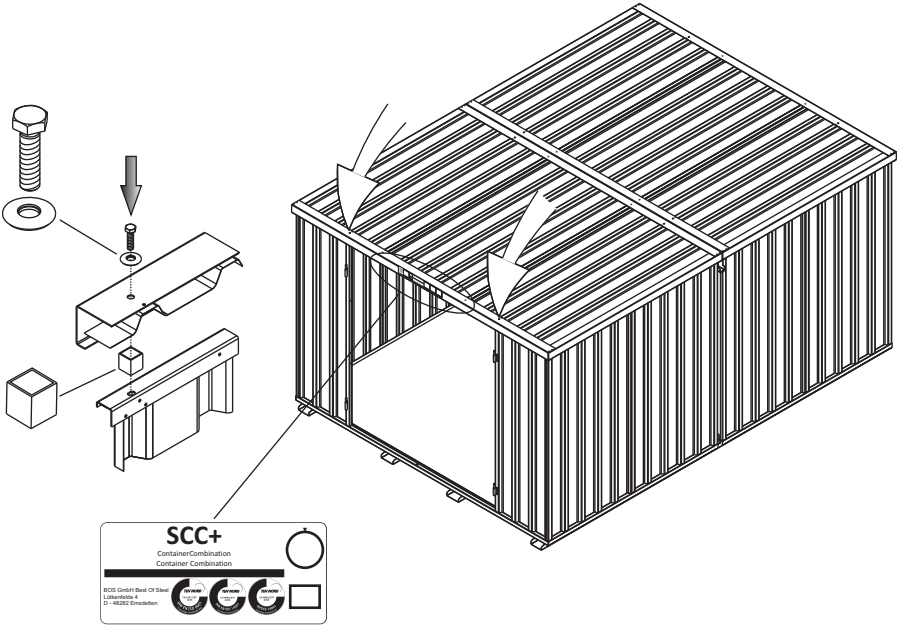
22.1.



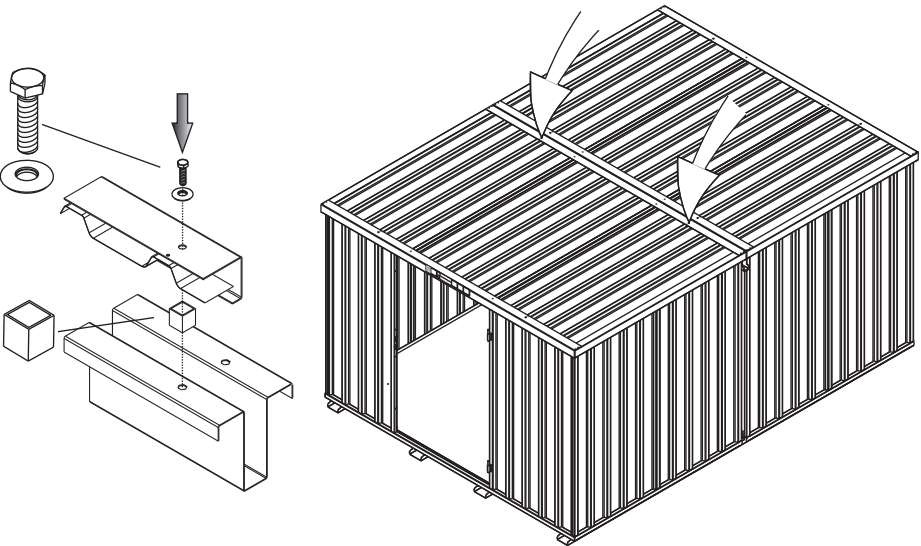
22.2.



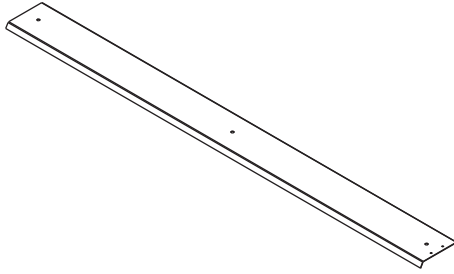
3m LZ



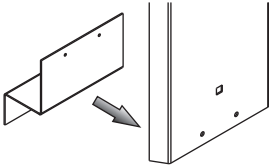
23.



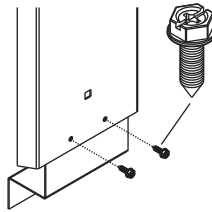
24.



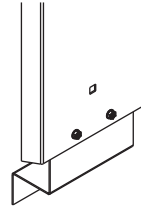
24.1.



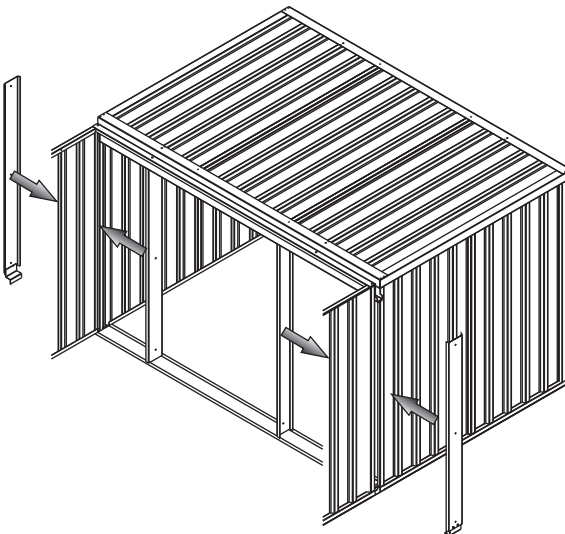
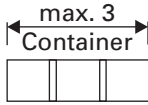
24.2.



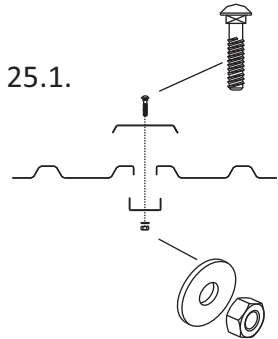
24.3.



25.



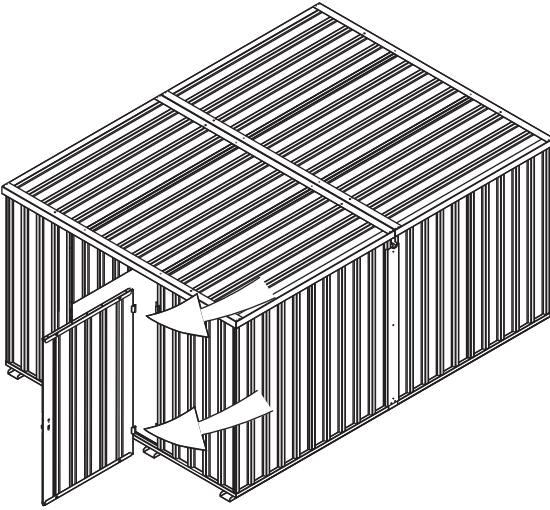
25.1.



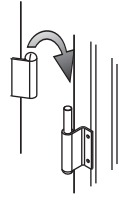
25.2.



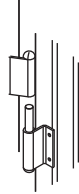
26.



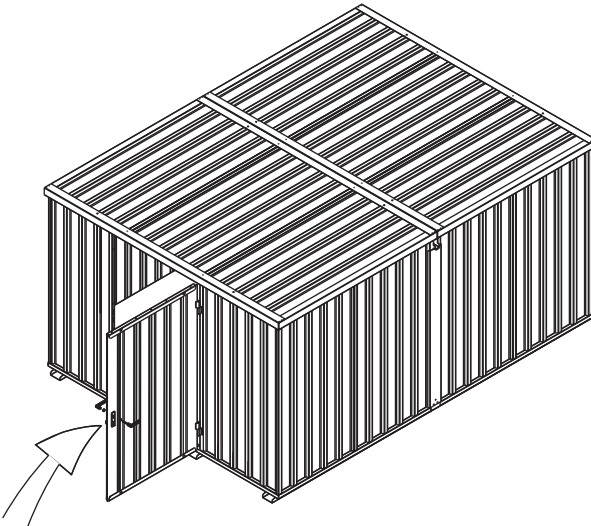
26.1.



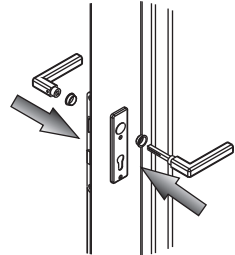
26.2.



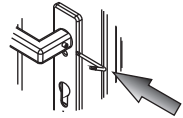
27.



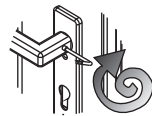
27.1.



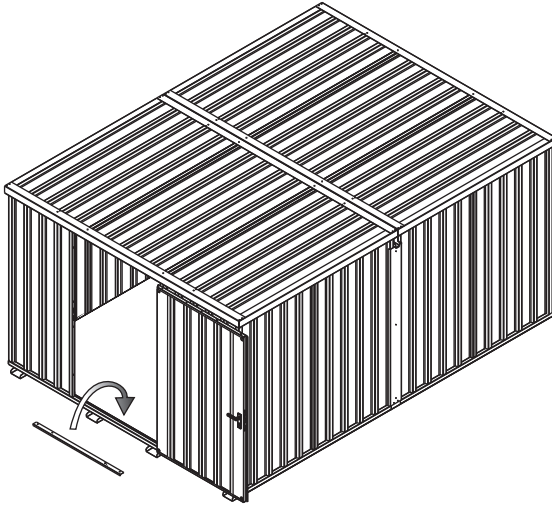
27.2.



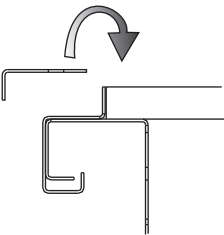
27.3.



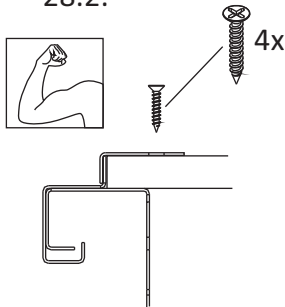
28.



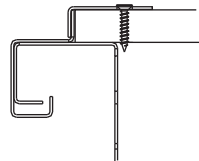
28.1.



28.2.

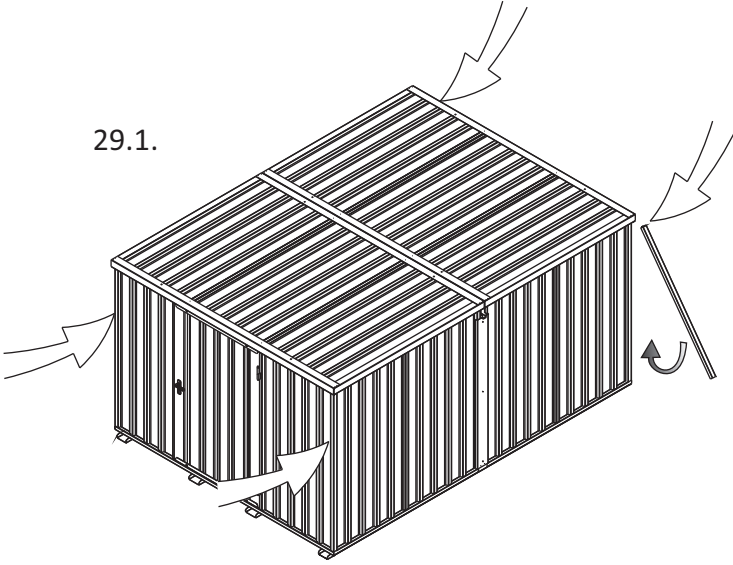


28.3.



29.

29.1.



29.2.

